



SINCE 1977



RU-SHINE TOOL.CO., LTD
QUAN-TIAN CO., LTD

www.juhsin.com.tw

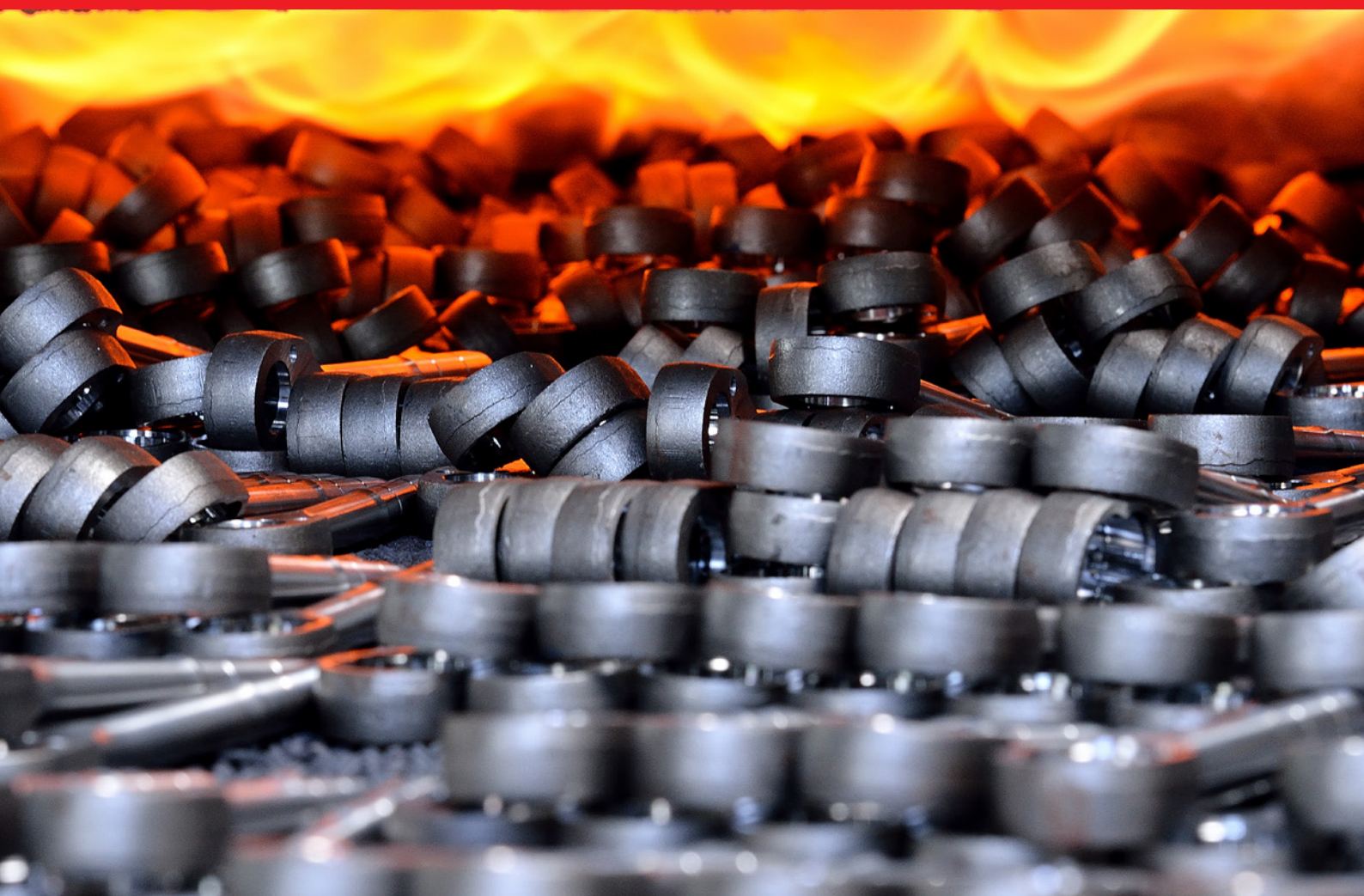
INDEX

P04 [Ratchet Handle](#)

P18 [Ratchet Combination Wrench](#)

P29 [Insert Tools](#)

P35 [Professional Tool Set](#)





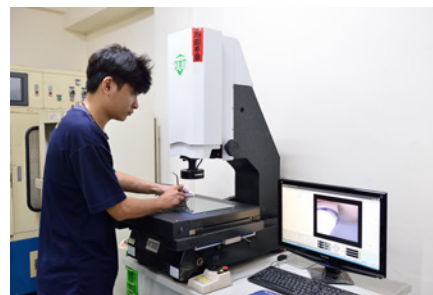
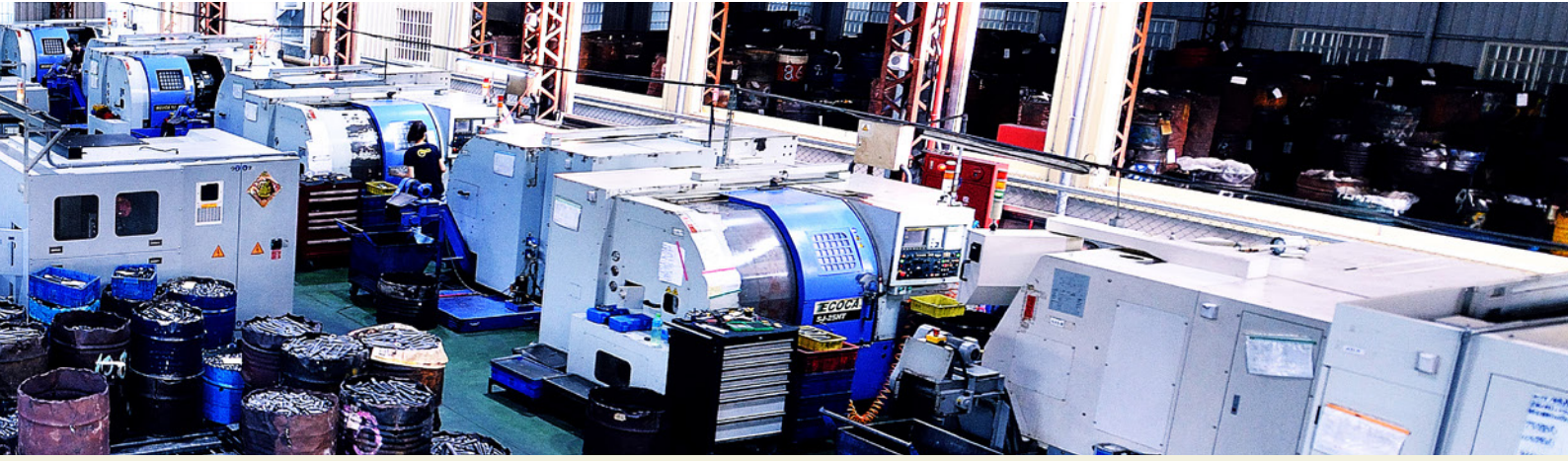
RU-SHINE TOOL CO., LTD. Is a manufacturer based in Taichung, Taiwan. We specialize in manufacturing high quality ratchet handle, gear wrench, torque wrench, socket sets and accessories. With over 40 years experience in the hand tool market. We also supply to Major European and American customers in many instances under their own brand.

QUALITY PRODUCTS

All our hand tools and accessories are made with Chrome Vanadium Steel or Chrome Molybdenum Steel. Using only the best testing equipment and state of the art manufacturing processes, RU-SHINE TOOL has always been able to keep its designs functional and effective.



RU-SHINE TOOL.CO., LTD
QUAN-TIAN CO., LTD



Ratchet Handle

- Over 50,000 Times Fatigue Test
- Maximum Torque Reach 130% DIN Standard
- High Surface Treatment
- Best Grip for Industrial User
- Special Structure Can be Maintain and Repair



Be Named

- Best Quality Ratchet Handle
- Industrial Level Spanner
- Most Good-Looking Design



RS-00

RS-01

RS-00

24 TEETH OVAL HEAD RATCHET HANDLE WITH QUICK RELEASE

| ITEM NO | SIZE | TEETH | KGS | L(mm) | (W) Head width/mm | (L) Head Depth/mm |
|---------|------|-------|------|-------|-------------------|-------------------|
| RS-014 | 1/2" | 24 | 0.55 | 250 | 41.0 | 40.0 |
| RS-013 | 3/8" | 24 | 0.26 | 195 | 31.0 | 28.0 |
| RS-012 | 1/4" | 24 | 0.11 | 145 | 25.0 | 22.0 |

RS-01

36 TEETH OVAL HEAD RATCHET HANDLE WITH QUICK RELEASE (FLAT TYPE)

| ITEM NO | SIZE | TEETH | KGS | L(mm) | (W) Head width/mm | (L) Head Depth/mm |
|---------|------|-------|------|-------|-------------------|-------------------|
| RS-014 | 1/2" | 36 | 0.55 | 250 | 41.0 | 40.0 |
| RS-013 | 3/8" | 36 | 0.26 | 195 | 31.0 | 28.0 |
| RS-012 | 1/4" | 36 | 0.11 | 145 | 25.0 | 22.0 |



RS-02

36 TEETH REVERSE RATCHET WITHOUT QUICK RELEASE

| ITEM NO | SIZE | TEETH | KGS | L(mm) | (W) Head width/mm | (L) Head Depth/mm |
|---------|------|-------|------|-------|-------------------|-------------------|
| RS-024 | 1/2" | 36 | 0.65 | 250 | 38.0 | 32.8 |
| RS-023 | 3/8" | 36 | 0.33 | 195 | 30.0 | 24.3 |
| RS-022 | 1/4" | 36 | 0.16 | 145 | 22.0 | 18.2 |

RS-06

72TEETH RATCHET HANDLE WITH QUICK RELEASE(FLAT TYPE)

| ITEM NO | SIZE | TEETH | KGS | L(mm) | (W) Head width/mm | (L) Head Depth/mm |
|---------|------|-------|------|-------|-------------------|-------------------|
| RS-064 | 1/2" | 72 | 0.43 | 250 | 39.0 | 35.7 |
| RS-063 | 3/8" | 72 | 0.21 | 200 | 30.0 | 27.0 |
| RS-062 | 1/4" | 72 | 0.09 | 145 | 21.5 | 25.0 |



RS-15

RS-24

RS-15

72 TEETH TEARDROP REVERSE RATCHET WITH QUICK RELEASE

| ITEM NO | SIZE | TEETH | KGS | L(mm) | (W) Head width/mm | (L) Head Depth/mm |
|---------|------|-------|------|-------|-------------------|-------------------|
| RS-154 | 1/2" | 72 | 0.45 | 250 | 32.5 | 33.0 |
| RS-153 | 3/8" | 72 | 0.42 | 202 | 26.0 | 26.5 |
| RS-152 | 1/4" | 72 | 0.20 | 130 | 20.0 | 20.0 |

RS-24

72 TEETH RATCHET HANDLE WITH BELT TRACTION

| ITEM NO | SIZE | TEETH | KGS | L(mm) | (W) Head width/mm | (L) Head Depth/mm |
|---------|------|-------|------|-------|-------------------|-------------------|
| RS-244 | 1/2" | 72 | 0.65 | 250 | 39.0 | 43.0 |
| RS-243 | 3/8" | 72 | 0.35 | 200 | 32.0 | 33.0 |
| RS-242 | 1/4" | 72 | 0.15 | 145 | 24.0 | 25.5 |

72T Teardrop Tatchet Handle

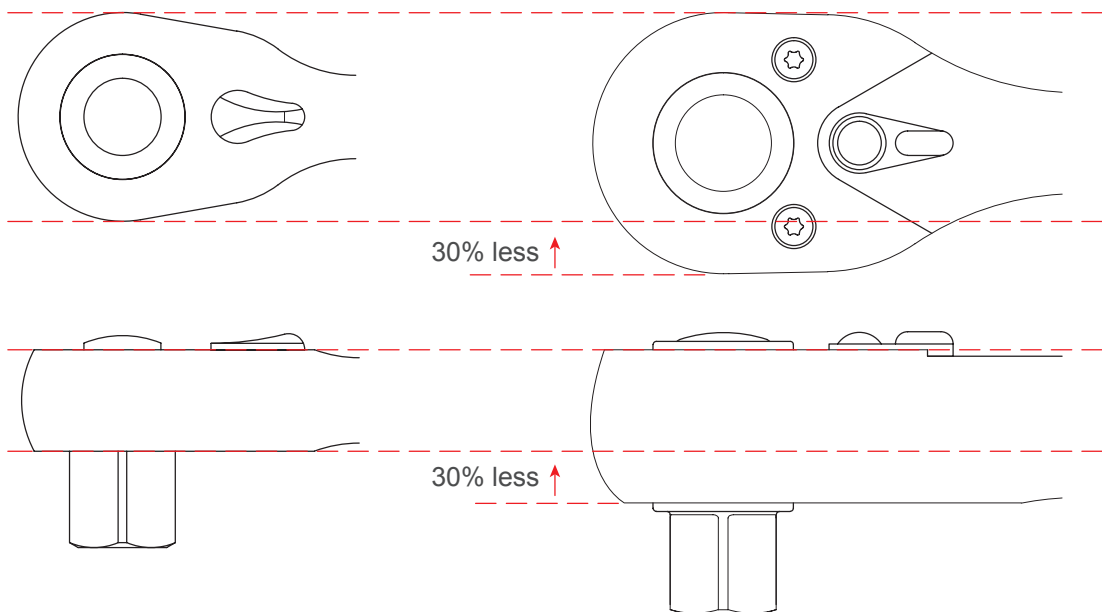
We Create Best Tool in Narrow Space

Small Volume Head

- 30% Less on Width
- 30% Less on Depth
- High Torque Structure
- Patented.



Better Torque Test Result as Normal Type





RS-25DR

RS-25HEX

RS-30

RS-25

72 TEETH STREAMLINING STUBBY RATCHET HANDLE

| ITEM NO | SIZE | TEETH | KGS | L(mm) | (W) Head width/mm | (L) Head Depth/mm |
|------------|------|-------|------|-------|-------------------|-------------------|
| RS-252-Dr. | 1/4" | 72 | 0.05 | 95.0 | 17.0 | 17.9 |
| RS-252-HEX | 1/4" | 72 | 0.05 | 95.0 | 17.0 | 18.5 |
| RS-253-Dr. | 3/8" | 72 | 0.12 | 102.0 | 25.0 | 26.5 |

RS-30

72 TEETH TEARDROP STREAMLINING RATCHET WITH QUICK RELEASE

| ITEM NO | SIZE | TEETH | KGS | L(mm) | (W) Head width/mm | (L) Head Depth/mm |
|---------|------|-------|------|-------|-------------------|-------------------|
| RS-304 | 1/2" | 72 | 0.36 | 250 | 32.5 | 33.0 |
| RS-303 | 3/8" | 72 | 0.18 | 202 | 26.0 | 26.5 |
| RS-302 | 1/4" | 72 | 0.08 | 130 | 20.0 | 20.0 |



RS-39



RS-42DR



RS-42HEX

RS-39

72 TEETH OVAL HEAD CURVED RATCHET HANDLE WITH QUICK RELEASE

| ITEM NO | SIZE | TEETH | KGS | L(mm) | (W) Head width/mm | (L) Head Depth/mm |
|---------|------|-------|------|-------|-------------------|-------------------|
| RS-394 | 1/2" | 72 | 0.49 | 250 | 41.0 | 37.0 |
| RS-393 | 3/8" | 72 | 0.22 | 200 | 31.0 | 29.5 |
| RS-392 | 1/4" | 72 | 0.11 | 145 | 25.0 | 23.5 |

RS-42

72 TEETH FLEX STREAMLINING STUBBY RATCHET HANDLE

| ITEM NO | SIZE | TEETH | KGS | L(mm) | (W) Head width/mm | (L) Head Depth/mm |
|-----------|------|-------|-------|-------|-------------------|-------------------|
| RS-42-Dr. | 1/4" | 72 | 0.055 | 95.0 | 17.0 | 17.9 |
| RS-42-HEX | 1/4" | 72 | 0.055 | 95.0 | 17.0 | 18.5 |



RS-61

72 TEETH THIN HEAD RATCHET HANDLE WITH QUICK RELEASE

| ITEM NO | SIZE | TEETH | KGS | L(mm) | (W) Head width/mm | (L) Head Depth/mm |
|---------|------|-------|------|-------|-------------------|-------------------|
| RS-614 | 1/2" | 72 | 0.40 | 255 | 42.0 | 33.0 |
| RS-613 | 3/8" | 72 | 0.22 | 200 | 35.0 | 26.5 |
| RS-612 | 1/4" | 72 | 0.10 | 146 | 25.0 | 20.0 |

RS-76

60 TEETH MINI STUBBY BIT RATCHET HANDLE

| ITEM NO | SIZE | TEETH | KGS | L(mm) | (W) Head width/mm | (L) Head Depth/mm |
|---------|------|-------|-------|-------|-------------------|-------------------|
| RS-76 | 1/4" | 60 | 0.035 | 90.0 | 16.0 | 11.0 |



RS-A6

RS-B2

RS-A6

72 TEETH OVAL HEAD SMALL CURVED RATCHET HANDLE WITH QUICK RELEASE

| ITEM NO | SIZE | TEETH | KGS | L(mm) | (W) Head width/mm | (L) Head Depth/mm |
|---------|------|-------|------|-------|-------------------|-------------------|
| RS-A64 | 1/2" | 72 | 0.46 | 250 | 38.5 | 37.0 |
| RS-A63 | 3/8" | 72 | 0.22 | 200 | 31.5 | 30.0 |
| RS-A62 | 1/4" | 72 | 0.10 | 145 | 25.0 | 21.5 |

RS-B2

36 TEETH FLEX REVERSE RATCHET WITHOUT QUICK RELEASE

| ITEM NO | SIZE | TEETH | KGS | L(mm) | (W) Head width/mm | (L) Head Depth/mm |
|---------|------|-------|------|-------|-------------------|-------------------|
| RS-B24 | 1/2" | 36 | 0.76 | 404 | 38.0 | 32.8 |
| RS-B23 | 3/8" | 36 | 0.40 | 290 | 30.0 | 24.3 |
| RS-B22 | 1/4" | 36 | 0.13 | 160 | 22.0 | 18.2 |



RS-D1

72 TEETH OVAL HEAD RATCHET HANDLE WITH QUICK RELEASE

| ITEM NO | SIZE | TEETH | KGS | L(mm) | (W) Head width/mm | (L) Head Depth/mm |
|---------|------|-------|------|-------|-------------------|-------------------|
| RS-D14 | 1/2" | 72 | 0.48 | 250 | 38.5 | 37.0 |
| RS-D13 | 3/8" | 72 | 0.25 | 195 | 31.5 | 30.0 |
| RS-D12 | 1/4" | 72 | 0.11 | 145 | 25.0 | 21.5 |

RS-D4

72 TEETH OVAL HEAD BIG CURVED RATCHET HANDLE WITH QUICK RELEASE

| ITEM NO | SIZE | TEETH | KGS | L(mm) | (W) Head width/mm | (L) Head Depth/mm |
|---------|------|-------|------|-------|-------------------|-------------------|
| RS-D44 | 1/2" | 72 | 0.50 | 250 | 38.5 | 37.0 |
| RS-D43 | 3/8" | 72 | 0.24 | 200 | 31.5 | 30.0 |
| RS-D42 | 1/4" | 72 | 0.12 | 145 | 25.0 | 21.5 |



RS-03

72 TEETH ROUND HEAD RATCHET HANDLE WITH QUICK RELEASE (FLAT TYPE)

| ITEM NO | SIZE | TEETH | KGS | L(mm) | (W) Head width/mm | (L) Head Depth/mm |
|---------|------|-------|------|-------|-------------------|-------------------|
| RS-034 | 1/2" | 72 | 0.55 | 250 | 39.0 | 44.0 |
| RS-033 | 3/8" | 72 | 0.26 | 195 | 30.0 | 33.0 |
| RS-032 | 1/4" | 72 | 0.11 | 145 | 25.0 | 27.0 |

RS-04

72 TEETH ROUND HEAD BENDING RATCHET HANDLE WITH QUICK RELEASE

| ITEM NO | SIZE | TEETH | KGS | L(mm) | (W) Head width/mm | (L) Head Depth/mm |
|---------|------|-------|------|-------|-------------------|-------------------|
| RS-044 | 1/2" | 72 | 0.51 | 250 | 39.0 | 44.0 |
| RS-043 | 3/8" | 72 | 0.22 | 195 | 30.0 | 33.0 |
| RS-042 | 1/4" | 72 | 0.13 | 145 | 25.0 | 27.0 |



RS-14

72 TEETH ROUND HEAD STREAMLINING RATCHET HANDLE WITH QUICK RELEASE

| ITEM NO | SIZE | TEETH | KGS | L(mm) | (W) Head width/mm | (L) Head Depth/mm |
|---------|------|-------|------|-------|-------------------|-------------------|
| RS-144 | 1/2" | 72 | 0.47 | 250 | 39.0 | 44.0 |
| RS-143 | 3/8" | 72 | 0.2 | 195 | 30.0 | 33.0 |
| RS-142 | 1/4" | 72 | 0.1 | 145 | 26.0 | 27.0 |

RS-18

72 TEETH ROUND HEAD SWIVEL RATCHET HANDLE WITH QUICK RELEASE

| ITEM NO | SIZE | TEETH | KGS | L(mm) | (W) Head width/mm | (L) Head Depth/mm |
|---------|------|-------|------|-------|-------------------|-------------------|
| RS-184 | 1/2" | 72 | 0.65 | 283 | 48.0 | 44.0 |
| RS-183 | 3/8" | 72 | 0.35 | 270 | 42.0 | 33.0 |
| RS-182 | 1/4" | 72 | 0.15 | 150 | 32.0 | 27.0 |



RS-41



RS-A8

RS-41

72 TEETH ROUND HEAD EXTENDABLE RATCHET HANDLE WITH QUICK RELEASE

| ITEM NO | SIZE | TEETH | KGS | L(mm) | EXTENSION L (min) | SECTION | (W) Head Width/mm | (D) Head Depth/mm |
|---------|------|-------|------|-------|-------------------|---------|-------------------|-------------------|
| RS-414 | 1/2" | 72 | 0.80 | 295.0 | 420.0 | 6 | 38.0 | 44.0 |
| RS-413 | 3/8" | 72 | 0.35 | 200.0 | 300.0 | 5 | 30.0 | 33.0 |
| RS-412 | 1/4" | 72 | 0.17 | 150.0 | 200.0 | 4 | 26.0 | 27.0 |

RS-A8

72 TEETH ROUND HEAD RATCHET HANDLE -PUSH THRU TYPE

| ITEM NO | SIZE | TEETH | KGS | L(mm) | (W) Head width/mm | (L) Head Depth/mm |
|---------|------|-------|------|-------|-------------------|-------------------|
| RS-A84 | 1/2" | 72 | 0.42 | 250 | 39.0 | 22.0 |



RS-E3

RS-E3

100 TEETH ROUND HEAD EXTENDABLE SWIVEL RATCHET HANDLE WITH QUICK RELEASE

| ITEM NO | SIZE | TEETH | KGS | L(mm) | EXTENSION L (min) | SECTION | (W) Head Width/mm | (D) Head Depth/mm |
|---------|------|-------|------|-------|----------------------|---------|----------------------|----------------------|
| RS-E64 | 1/2" | 100 | 0.95 | 305.0 | 430.0 | 6 | 48.0 | 44.0 |
| RS-E63 | 3/8" | 100 | | 210.0 | 320.0 | 5 | 42.0 | 33.0 |
| RS-E62 | 1/4" | 100 | | 160.0 | 210.0 | 4 | 32.0 | 27.0 |

Ratchet combination wrench

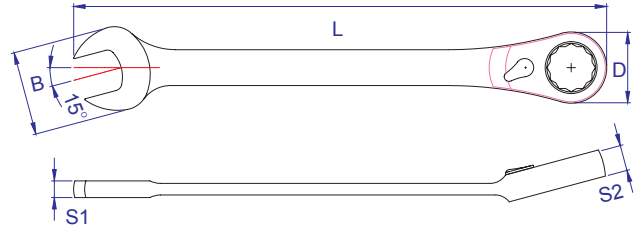
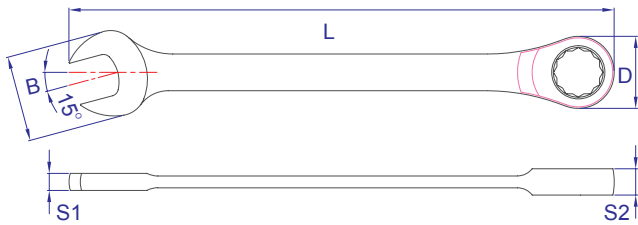
RS Ratchet combination wrench

- Special Structure Design for Repair, Maintain and Change Part
- 72 Smooth Teeth with High Torque
- Three Type with Two Different 12-Point Design
- Patented.



New Design-“Catch n’Thru” Box End

- Special Design on 12 Points
- Switch Catch or Thru by Turning 30 Degrees



RS-10

ONE WAY RATCHET COMBINATION WRENCH

| Item No. | Size | (L)mm | B | D | S1 | S2 |
|-------------|------|-------|------|------|------|------|
| RS-100851A1 | 8mm | 140 | 18.0 | 18.0 | 5.0 | 7.5 |
| RS-100951A1 | 9mm | 150 | 20.0 | 19.0 | 5.0 | 7.5 |
| RS-101051A1 | 10mm | 160 | 22.5 | 21.5 | 5.0 | 7.5 |
| RS-101151A1 | 11mm | 165 | 24.0 | 22.5 | 6.0 | 8.0 |
| RS-101251A1 | 12mm | 170 | 26.5 | 23.5 | 6.0 | 8.5 |
| RS-101351A1 | 13mm | 180 | 28.0 | 25.5 | 6.0 | 8.5 |
| RS-101451A1 | 14mm | 190 | 30.5 | 27.5 | 6.5 | 9.5 |
| RS-101551A1 | 15mm | 200 | 32.0 | 29.0 | 7.0 | 9.5 |
| RS-101651A1 | 16mm | 210 | 34.0 | 30.0 | 7.0 | 10.0 |
| RS-101751A1 | 17mm | 225 | 36.5 | 32.0 | 7.5 | 10.5 |
| RS-101851A1 | 18mm | 235 | 38.5 | 33.0 | 8.0 | 11.0 |
| RS-101951A1 | 19mm | 245 | 40.0 | 34.5 | 8.5 | 11.5 |
| RS-102051A1 | 20mm | 290 | 46.0 | 40.0 | 9.5 | 13.0 |
| RS-102151A1 | 21mm | 290 | 46.0 | 40.0 | 9.5 | 13.0 |
| RS-102251A1 | 22mm | 290 | 46.0 | 40.0 | 10.0 | 13.5 |
| RS-102451A1 | 24mm | 320 | 52.0 | 46.0 | 10.0 | 13.5 |
| RS-102751A1 | 27mm | 360 | 55.0 | 49.0 | 10.0 | 16.0 |
| RS-103051A1 | 30mm | 390 | 62.0 | 54.0 | 10.0 | 17.0 |
| RS-103251A1 | 32mm | 410 | 67.0 | 57.5 | 10.5 | 17.0 |

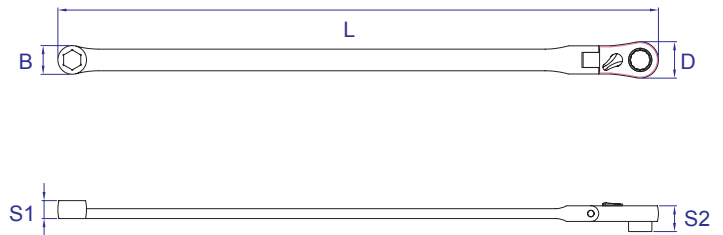
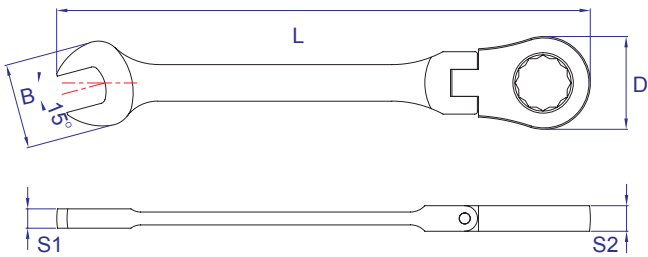
| Item No. | Size | (L)mm | B | D | S1 | S2 |
|-------------|--------|-------|-------|-------|------|------|
| RS-105851A1 | 5/16" | 140 | 16.00 | 17.00 | 5.8 | 8 |
| RS-106051A1 | 3/8" | 160 | 20.50 | 20.50 | 5.5 | 6 |
| RS-106151A1 | 7/16" | 165 | 23.00 | 22.00 | 6 | 7.5 |
| RS-106351A1 | 1/2" | 180 | 27.00 | 25.00 | 6.8 | 9.5 |
| RS-106451A1 | 9/16" | 190 | 29.00 | 27.00 | 7.5 | 9.5 |
| RS-106651A1 | 5/8" | 210 | 34.00 | 30.00 | 7.5 | 10 |
| RS-106751A1 | 11/16" | 225 | 36.50 | 32.50 | 7.5 | 10 |
| RS-106951A1 | 3/4" | 245 | 39.50 | 35.00 | 8.8 | 11.2 |
| RS-107051A1 | 13/16" | 290 | 46.0 | 40.0 | 9.5 | 13.0 |
| RS-107251A1 | 7/8" | 290 | 46.0 | 40.0 | 10.0 | 13.5 |
| RS-107451A1 | 15/16" | 320 | 52.0 | 46.0 | 10.0 | 13.5 |
| RS-107551A1 | 1" | 320 | 52.0 | 46.0 | 10.0 | 13.5 |

RS-11

REVERSE RATCHET COMBINATION WRENCH

| Item No. | Size | (L)mm | B | D | S1 | S2 |
|-------------|------|-------|------|------|------|------|
| RS-110851A1 | 8mm | 140 | 16.5 | 17.0 | 5.0 | 7.5 |
| RS-110951A1 | 9mm | 150 | 19.0 | 19.0 | 5.0 | 7.5 |
| RS-111051A1 | 10mm | 160 | 21.0 | 21.5 | 5.5 | 7.5 |
| RS-111151A1 | 11mm | 165 | 23.0 | 23.0 | 6.0 | 8.0 |
| RS-111251A1 | 12mm | 170 | 25.5 | 23.0 | 6.0 | 8.5 |
| RS-111351A1 | 13mm | 180 | 27.0 | 26.0 | 6.5 | 9.5 |
| RS-111451A1 | 14mm | 190 | 29.5 | 27.5 | 7.0 | 9.5 |
| RS-111551A1 | 15mm | 200 | 31.5 | 29.0 | 7.0 | 9.5 |
| RS-111651A1 | 16mm | 210 | 33.5 | 30.0 | 7.5 | 10.0 |
| RS-111751A1 | 17mm | 225 | 36.0 | 33.0 | 7.5 | 10.5 |
| RS-111851A1 | 18mm | 235 | 38.0 | 33.0 | 8.0 | 11.0 |
| RS-111951A1 | 19mm | 245 | 40.0 | 35.0 | 9.0 | 11.5 |
| RS-112051A1 | 20mm | 275 | 43.5 | 38.5 | 9.5 | 12.5 |
| RS-112151A1 | 21mm | 275 | 43.5 | 38.5 | 9.5 | 12.5 |
| RS-112251A1 | 22mm | 285 | 45.0 | 41.0 | 10.0 | 13.5 |
| RS-112351A1 | 23mm | 285 | 45.0 | 41.0 | 10.0 | 13.5 |
| RS-112451A1 | 24mm | 320 | 52.0 | 45.5 | 10.0 | 13.5 |
| RS-112751A1 | 27mm | 355 | 55.0 | 49.0 | 10.5 | 16.0 |
| RS-113051A1 | 30mm | 385 | 61.5 | 54.5 | 10.5 | 17.0 |
| RS-113251A1 | 32mm | 410 | 66.5 | 58.0 | 11.0 | 17.0 |

| Item No. | Size | (L)mm | B | D | S1 | S2 |
|-------------|--------|-------|-------|-------|------|------|
| RS-115851A1 | 5/16" | 140 | 17.00 | 17.00 | 5.3 | 7.5 |
| RS-116051A1 | 3/8" | 160 | 21.00 | 21.50 | 6 | 7.5 |
| RS-116151A1 | 7/16" | 165 | 23.00 | 23.00 | 6.3 | 8 |
| RS-116351A1 | 1/2" | 180 | 27.50 | 25.00 | 6 | 9.5 |
| RS-116451A1 | 9/16" | 190 | 29.50 | 27.70 | 7.5 | 9.5 |
| RS-116651A1 | 5/8" | 210 | 34.00 | 29.50 | 7.5 | 10.5 |
| RS-116751A1 | 11/16" | 225 | 35.80 | 32.50 | 8.5 | 10 |
| RS-116951A1 | 3/4" | 245 | 40.00 | 35.00 | 9 | 11.5 |
| RS-117051A1 | 13/16" | 275 | 43.5 | 38.5 | 9.5 | 12.5 |
| RS-117251A1 | 7/8" | 285 | 45.0 | 41.0 | 10.0 | 13.5 |
| RS-117451A1 | 15/16" | 320 | 52.0 | 45.5 | 10.0 | 13.5 |
| RS-117551A1 | 1" | 320 | 52.0 | 45.5 | 10.0 | 13.5 |



RS-23

FLEX ONE WAY RATCHET COMBINATION WRENCH

| Item No. | Size | (L)mm | B | D | S1 | S2 |
|-------------|------|-------|------|------|-----|------|
| RS-230851A1 | 8mm | 145 | 17.0 | 18.0 | 5.0 | 7.0 |
| RS-230951A1 | 9mm | 150 | 19.0 | 20.5 | 5.0 | 7.0 |
| RS-231051A1 | 10mm | 160 | 21.0 | 21.5 | 5.5 | 8.0 |
| RS-231151A1 | 11mm | 165 | 23.5 | 23.0 | 6.5 | 8.0 |
| RS-231251A1 | 12mm | 170 | 25.0 | 23.5 | 6.5 | 8.5 |
| RS-231351A1 | 13mm | 185 | 28.0 | 26.0 | 7.0 | 9.5 |
| RS-231451A1 | 14mm | 195 | 29.0 | 28.5 | 7.5 | 9.5 |
| RS-231551A1 | 15mm | 200 | 31.5 | 30.0 | 7.5 | 10.0 |
| RS-231651A1 | 16mm | 215 | 34.0 | 31.0 | 7.5 | 10.5 |
| RS-231751A1 | 17mm | 225 | 35.5 | 33.0 | 8.0 | 10.5 |
| RS-231851A1 | 18mm | 235 | 37.0 | 33.0 | 9.0 | 11.0 |
| RS-231951A1 | 19mm | 250 | 40.0 | 35.0 | 9.0 | 11.5 |

RS-60

EXTRA LONG FLEX HEAD REVERSE RATCHET WRENCH

| Item No. | Size | (L)mm | B | D | S1 | S2 |
|-------------|------|-------|------|------|------|------|
| RS-600851E2 | 8mm | 280 | 13.5 | 17.0 | 7.5 | 12.0 |
| RS-601051E2 | 10mm | 315 | 16.0 | 21.5 | 8.5 | 12.8 |
| RS-601251E2 | 12mm | 350 | 19.5 | 23.5 | 9.5 | 14.7 |
| RS-601351E2 | 13mm | 380 | 20.5 | 25.0 | 10.5 | 15.6 |
| RS-601451E2 | 14mm | 405 | 22.0 | 27.7 | 11.5 | 16.5 |
| RS-601751E2 | 17mm | 435 | 26.0 | 32.5 | 13.5 | 18.8 |
| RS-601951E2 | 19mm | 460 | 28.0 | 35.0 | 14.5 | 19.7 |

| Item No. | Size | (L)mm | B | D | S1 | S2 |
|-------------|--------|-------|------|------|-----|------|
| RS-235851A1 | 5/16" | 140 | 17.2 | 18.0 | 5.6 | 7.3 |
| RS-236051A1 | 3/8" | 160 | 21.0 | 21.7 | 6.1 | 7.5 |
| RS-236151A1 | 7/16" | 165 | 23.5 | 22.9 | 6.8 | 8.8 |
| RS-236351A1 | 1/2" | 180 | 27.5 | 26.1 | 7.2 | 9.5 |
| RS-236451A1 | 9/16" | 190 | 29.7 | 28.4 | 7.5 | 9.5 |
| RS-236651A1 | 5/8" | 210 | 34.0 | 30.4 | 7.6 | 10.3 |
| RS-236751A1 | 11/16" | 225 | 35.6 | 32.9 | 8.5 | 10.3 |
| RS-236951A1 | 3/4" | 245 | 40.0 | 35.3 | 9.1 | 11.5 |

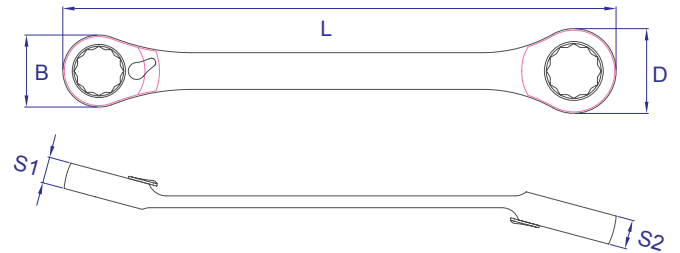
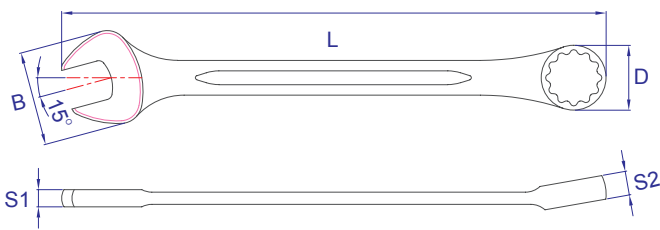


RS-63



RS-80

RS-80 4IN1



RS-63

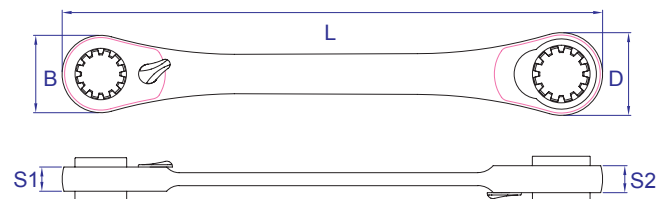
CKE COMBINATION WRENCH

| Item No. | Size | (L)mm | B | D | S1 | S2 |
|-------------|------|-------|------|-------|------|------|
| RS-630802D9 | 8mm | 125 | 19.5 | 13.0 | 4.5 | 6.0 |
| RS-630902D9 | 9mm | 135 | 21.0 | 14.5 | 4.5 | 6.0 |
| RS-631002D9 | 10mm | 145 | 23.5 | 16.0 | 4.5 | 6.5 |
| RS-631102D9 | 11mm | 155 | 25.5 | 18.0 | 5.0 | 7.0 |
| RS-631202D9 | 12mm | 165 | 27.5 | 19.0 | 5.0 | 7.0 |
| RS-631302D9 | 13mm | 175 | 29.5 | 20.0 | 5.0 | 8.0 |
| RS-631402D9 | 14mm | 185 | 32.0 | 22.0 | 6.0 | 9.0 |
| RS-631502D9 | 15mm | 195 | 33.5 | 23.5 | 6.0 | 9.0 |
| RS-631602D9 | 16mm | 205 | 35.0 | 25.0 | 6.0 | 9.0 |
| RS-631702D9 | 17mm | 215 | 37.0 | 26.5 | 6.5 | 10.0 |
| RS-631802D9 | 18mm | 225 | 39.0 | 28.0 | 6.5 | 10.5 |
| RS-631902D9 | 19mm | 325 | 41.5 | 29.0 | 6.5 | 11.0 |
| RS-632102D9 | 21mm | 255 | 45.5 | 31.0 | 7.0 | 12.0 |
| RS-632402D9 | 24mm | 285 | 51 | 36 | 8 | 12.5 |
| RS-632602D9 | 26mm | 305 | 54 | 38.5 | 8.5 | 13.5 |
| RS-632702D9 | 27mm | 315 | 55 | 40.50 | 9 | 13.5 |
| RS-632802D9 | 28mm | 325 | 58.0 | 42.0 | 9.0 | 14.5 |
| RS-632902D9 | 29mm | 335 | 60.5 | 42.5 | 9.0 | 14.5 |
| RS-633002D9 | 30mm | 345 | 62.5 | 44.5 | 10.0 | 14.5 |
| RS-633202D9 | 32mm | 365 | 66.5 | 47.0 | 10.0 | 14.5 |

RS-80

DOUBLE HEAD REVERSE RATCHET WRENCH

| Item No. | Size | (L)mm | B | D | S1 | S2 |
|-------------|-------|-------|------|------|------|------|
| RS-80AQ61A1 | 8x9 | 130 | 18.0 | 21.0 | 7.0 | 7.0 |
| RS-808061A1 | 8x10 | 130 | 18.0 | 21.5 | 7.0 | 7.5 |
| RS-80AR61A1 | 10x11 | 150 | 21.0 | 24.0 | 7.5 | 7.5 |
| RS-80AT61A1 | 12x13 | 170 | 24.0 | 27.5 | 8.5 | 9.5 |
| RS-80AV61A1 | 14x15 | 190 | 27.5 | 29.5 | 9.5 | 10.0 |
| RS-80AW61A1 | 16x18 | 210 | 31.5 | 34.0 | 10.0 | 11.0 |
| RS-80AX61A1 | 17x19 | 230 | 34.5 | 36.5 | 10.0 | 11.5 |



RS-80 4IN1

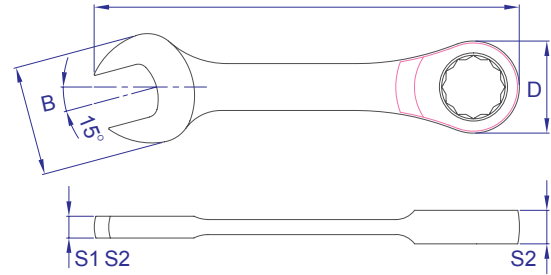
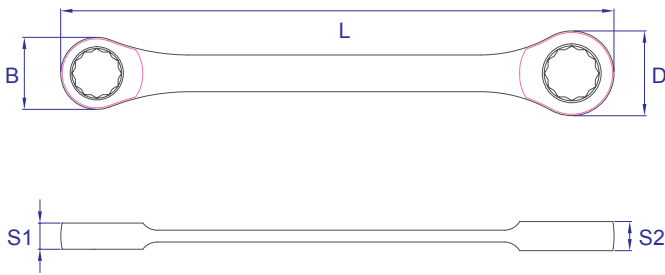
DOUBLE HEAD REVERSE RATCHET WRENCH(4 IN 1)

| Item No. | Size | (L)mm | B | D | S1 | S2 |
|-------------|-------------|-------|------|------|------|------|
| RS-80C161AF | 8x9+10x11 | 130 | 18.0 | 21.5 | 7.0 | 7.5 |
| RS-80C261AF | 12x13+14x15 | 190 | 28.0 | 30.0 | 13.0 | 13.0 |
| RS-80C361AF | 16x17+18x19 | 230 | 34.5 | 36.5 | 10.0 | 11.5 |

RS-96



RS-98



RS-96

ONE WAY GEAR-DOUBLE BOX END

| Item No. | Size | (L)mm | B | D | S1 | S2 |
|-------------|-------|-------|------|------|------|------|
| RS-96AQ61A1 | 8x9 | 130 | 18.0 | 21.0 | 7.0 | 7.0 |
| RS-968061A1 | 8x10 | 130 | 18.0 | 21.5 | 7.0 | 7.5 |
| RS-96AR61A1 | 10x11 | 150 | 21.0 | 24.0 | 7.5 | 7.5 |
| RS-96AT61A1 | 12x13 | 170 | 24.5 | 27.5 | 8.5 | 9.5 |
| RS-96AV61A1 | 14x15 | 190 | 27.5 | 30.0 | 9.5 | 10.0 |
| RS-96AW61A1 | 16x18 | 210 | 31.5 | 34.5 | 10.0 | 11.0 |
| RS-96AX61A1 | 17x19 | 230 | 34.5 | 35.5 | 10.0 | 11.5 |

RS-98

ONE WAY RATCHET COMBINATION STUBBY WRENCH

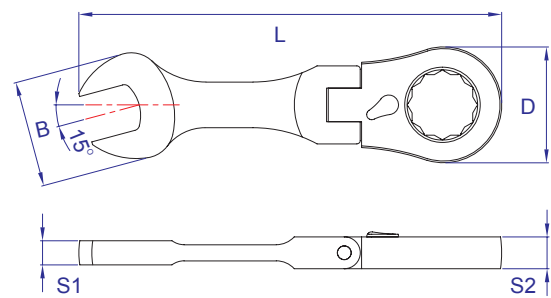
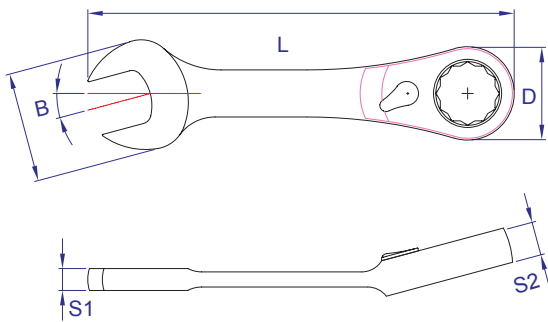
| Item No. | Size | (L)mm | B | D | S1 | S2 |
|-------------|------|-------|------|------|------|------|
| RS-980851A1 | 8mm | 90 | 16.0 | 18.0 | 5.0 | 7.0 |
| RS-980951A1 | 9mm | 92 | 18.5 | 19.0 | 5.0 | 7.0 |
| RS-981051A1 | 10mm | 94 | 20.0 | 21.5 | 6.0 | 7.5 |
| RS-981151A1 | 11mm | 101 | 22.5 | 22.5 | 6.5 | 8.0 |
| RS-981251A1 | 12mm | 105 | 25.0 | 23.0 | 6.5 | 8.5 |
| RS-981351A1 | 13mm | 107 | 27.0 | 25.5 | 7.0 | 9.5 |
| RS-981451A1 | 14mm | 114 | 29.0 | 27.5 | 7.0 | 9.5 |
| RS-981551A1 | 15mm | 118 | 31.0 | 29.0 | 8.0 | 9.5 |
| RS-981651A1 | 16mm | 121 | 33.0 | 30.0 | 8.0 | 10.0 |
| RS-981751A1 | 17mm | 125 | 35.0 | 33.0 | 9.0 | 10.0 |
| RS-981851A1 | 18mm | 129 | 37.0 | 33.0 | 9.0 | 11.0 |
| RS-981951A1 | 19mm | 137 | 39.0 | 35.0 | 10.0 | 11.5 |



RS-99



RS-B6



RS-99

REVERSE RATCHET COMBINATION STUBBY WRENCH

| Item No. | Size | (L)mm | B | D | S1 | S2 |
|-------------|------|-------|------|------|------|------|
| RS-990851A1 | 8mm | 90 | 16.5 | 18.0 | 5.0 | 7.0 |
| RS-990951A1 | 9mm | 92 | 18.0 | 19.0 | 5.0 | 7.0 |
| RS-991051A1 | 10mm | 94 | 20.0 | 21.5 | 6.0 | 7.5 |
| RS-991151A1 | 11mm | 101 | 22.5 | 22.5 | 6.5 | 8.0 |
| RS-991251A1 | 12mm | 105 | 25.0 | 23.0 | 6.5 | 8.5 |
| RS-991351A1 | 13mm | 106 | 27.0 | 26.5 | 7.0 | 9.5 |
| RS-991451A1 | 14mm | 113 | 29.0 | 27.0 | 7.0 | 10.0 |
| RS-991551A1 | 15mm | 117 | 31.0 | 29.0 | 8.0 | 10.0 |
| RS-991651A1 | 16mm | 120 | 33.0 | 30.0 | 8.0 | 10.0 |
| RS-991751A1 | 17mm | 124 | 35.0 | 32.0 | 8.0 | 10.0 |
| RS-991851A1 | 18mm | 128 | 37.0 | 32.0 | 8.5 | 11.0 |
| RS-991951A1 | 19mm | 136 | 39.0 | 35.0 | 10.0 | 11.5 |

RS-B6

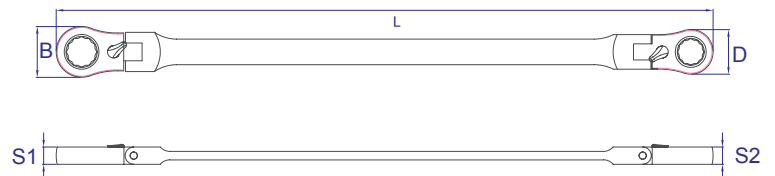
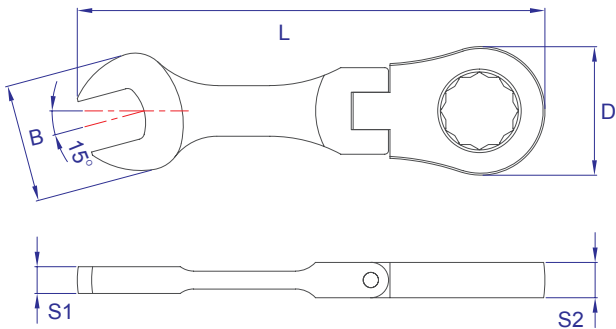
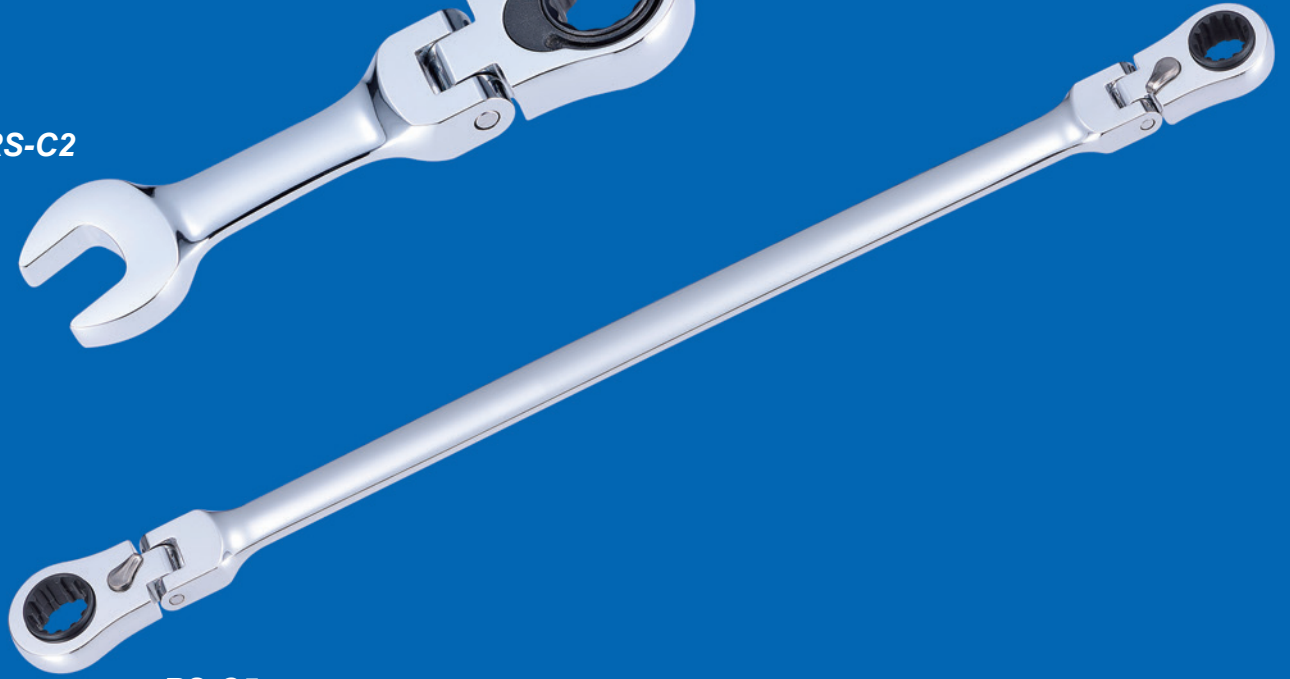
FLEX REVERSE RATCHET COMBINATION STUBBY WRENCH

| Item No. | Size | (L)mm | B | D | S1 | S2 |
|----------|------|-------|------|------|-----|------|
| RS-B608 | 8mm | 97 | 18.5 | 17.5 | 5.0 | 7.0 |
| RS-B609 | 9mm | 100 | 18.5 | 21.0 | 5.0 | 7.0 |
| RS-B610 | 10mm | 109 | 23.5 | 22.0 | 6.0 | 7.5 |
| RS-B611 | 11mm | 109 | 23.5 | 23.0 | 6.0 | 8.0 |
| RS-B612 | 12mm | 111 | 27.0 | 24.0 | 6.0 | 8.5 |
| RS-B613 | 13mm | 114 | 27.0 | 26.0 | 6.0 | 9.5 |
| RS-B614 | 14mm | 124 | 32.0 | 28.0 | 7.0 | 9.5 |
| RS-B615 | 15mm | 127 | 32.0 | 31.0 | 7.0 | 9.5 |
| RS-B616 | 16mm | 131 | 36.0 | 31.0 | 8.0 | 10.5 |
| RS-B617 | 17mm | 135 | 36.0 | 33.0 | 8.0 | 10.5 |
| RS-B618 | 18mm | 143 | 40.0 | 33.0 | 8.5 | 11.0 |
| RS-B619 | 19mm | 145 | 40.0 | 35.0 | 8.5 | 11.5 |

RS-C2



RS-C5



RS-C2

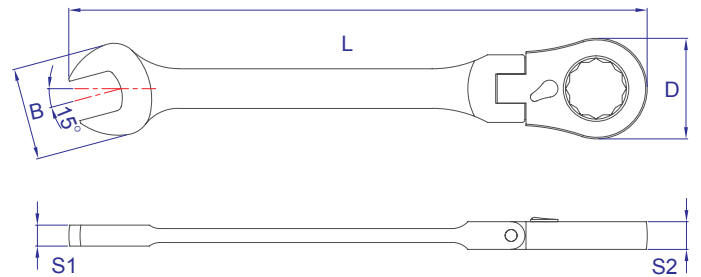
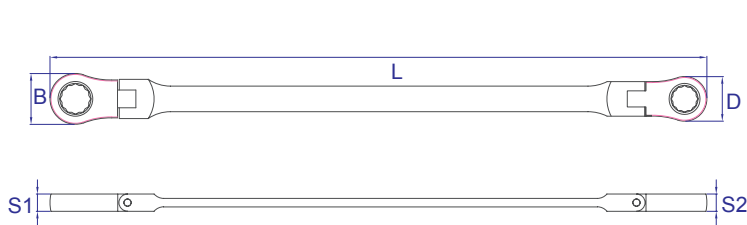
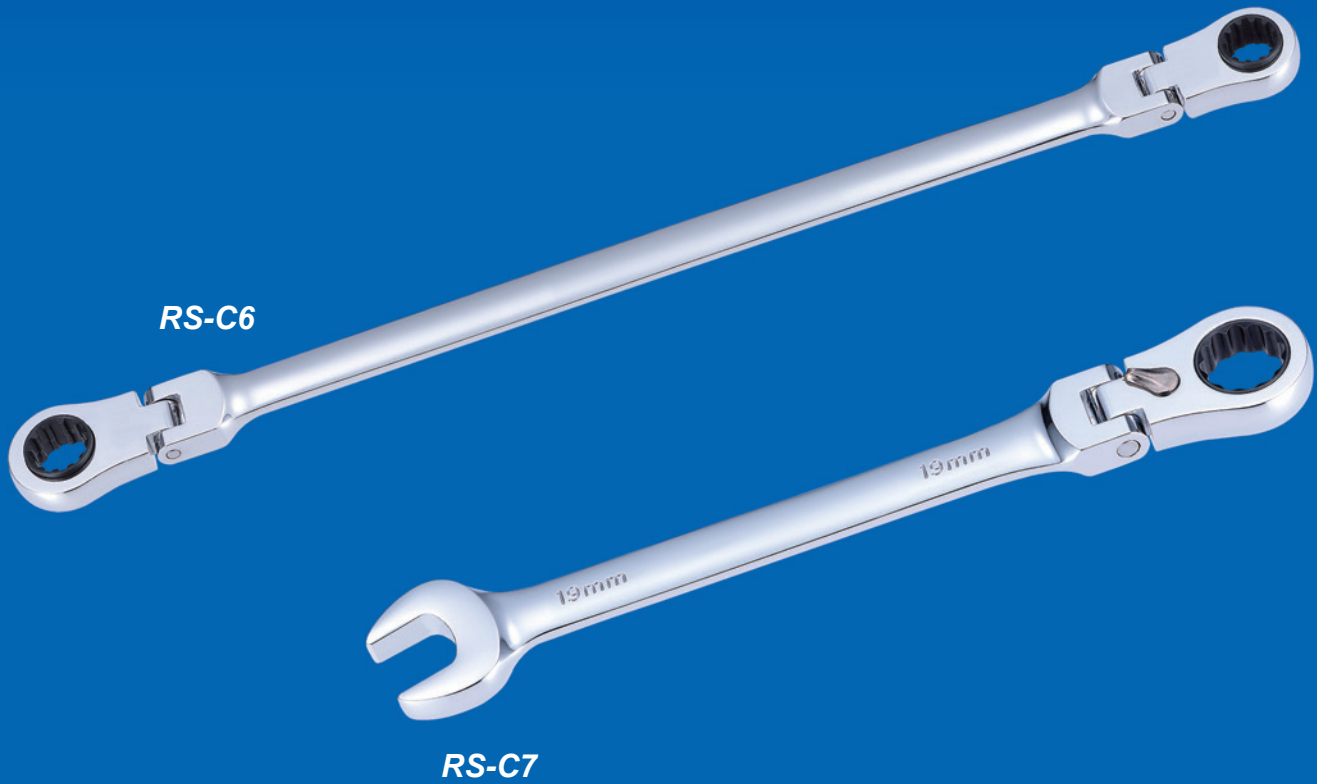
FLEX ONE WAY RATCHET COMBINATION STUBBY WRENCH

| Item No. | Size | (L)mm | B | D | S1 | S2 |
|----------|------|-------|------|------|-----|------|
| RS-C208 | 8mm | 95 | 18.5 | 17.0 | 5.0 | 7.5 |
| RS-C209 | 9mm | 100 | 18.5 | 20.5 | 5.0 | 7.5 |
| RS-C210 | 10mm | 109 | 23.0 | 22.0 | 6.0 | 8.0 |
| RS-C211 | 11mm | 109 | 23.0 | 23.0 | 6.0 | 8.0 |
| RS-C212 | 12mm | 109 | 27.0 | 23.5 | 6.0 | 8.5 |
| RS-C213 | 13mm | 111 | 27.0 | 26.0 | 6.0 | 9.5 |
| RS-C214 | 14mm | 121 | 32.0 | 28.0 | 7.0 | 9.5 |
| RS-C215 | 15mm | 124 | 32.0 | 30.5 | 7.0 | 9.5 |
| RS-C216 | 16mm | 127 | 36.0 | 30.5 | 8.0 | 10.0 |
| RS-C217 | 17mm | 131 | 36.0 | 33.0 | 8.0 | 10.0 |
| RS-C218 | 18mm | 138 | 40.0 | 33.0 | 8.5 | 10.5 |
| RS-C219 | 19mm | 145 | 40.0 | 35.0 | 8.5 | 11.5 |

RS-C5

EXTRA LONG DOUBLE FLEX HEAD REVERSE RATCHET WRENCH

| Item No. | Size | (L)mm | B | D | S1 | S2 |
|-------------|-------|-------|------|------|------|------|
| RS-C5AQ61A1 | 8x9 | 240 | 18.0 | 20.5 | 7.0 | 7.0 |
| RS-C58061A1 | 8x10 | 240 | 18.0 | 21.5 | 7.0 | 7.0 |
| RS-C5AR61A1 | 10x11 | 305 | 21.5 | 23.0 | 7.5 | 7.5 |
| RS-C5AT61A1 | 12x13 | 330 | 23.0 | 26.0 | 8.5 | 9.5 |
| RS-C5AV61A1 | 14x15 | 370 | 26.0 | 30.5 | 9.5 | 9.6 |
| RS-C5AW61A1 | 16x18 | 415 | 30.5 | 33.0 | 10.5 | 11.0 |
| RS-C5AX61A1 | 17x19 | 420 | 33.5 | 35.0 | 10.5 | 11.5 |



RS-C6

EXTRA LONG DOUBLE FLEX HEAD ONE WAY RATCHET WRENCH

| Item No. | Size | (L)mm | B | D | S1 | S2 |
|-------------|-------|-------|------|------|------|------|
| RS-C6AQ61A1 | 8x9 | 240 | 18.0 | 20.5 | 7.0 | 7.0 |
| RS-C68061A1 | 8x10 | 240 | 18.0 | 21.5 | 7.0 | 7.0 |
| RS-C6AR61A1 | 10x11 | 305 | 21.5 | 23.0 | 7.5 | 7.5 |
| RS-C6AT61A1 | 12x13 | 330 | 23.0 | 26.0 | 8.5 | 9.5 |
| RS-C6AV61A1 | 14x15 | 370 | 26.0 | 30.5 | 9.5 | 9.6 |
| RS-C6AW61A1 | 16x18 | 415 | 30.5 | 33.0 | 10.5 | 11.0 |
| RS-C6AX61A1 | 17x19 | 420 | 33.5 | 35.0 | 10.5 | 11.5 |

RS-C7

ONE WAY RATCHET COMBINATION WRENCH

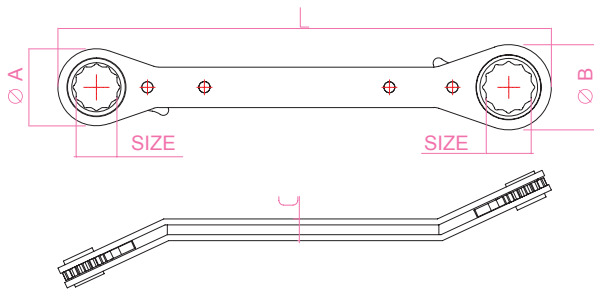
| Item No. | Size | (L)mm | B | D | S1 | S2 |
|----------|------|-------|------|------|-----|------|
| RS-C708 | 8mm | 145 | 17.0 | 18.0 | 5.0 | 7.0 |
| RS-C709 | 9mm | 150 | 19.0 | 20.5 | 5.0 | 7.0 |
| RS-C710 | 10mm | 160 | 21.5 | 21.5 | 5.5 | 7.5 |
| RS-C711 | 11mm | 165 | 23.5 | 23.0 | 6.5 | 8.0 |
| RS-C712 | 12mm | 170 | 25.5 | 23.5 | 6.5 | 8.5 |
| RS-C713 | 13mm | 185 | 28.0 | 26.0 | 7.0 | 9.5 |
| RS-C714 | 14mm | 195 | 29.0 | 28.5 | 7.5 | 9.5 |
| RS-C715 | 15mm | 205 | 31.5 | 31.0 | 7.5 | 10.0 |
| RS-C716 | 16mm | 215 | 34.0 | 31.0 | 7.5 | 10.5 |
| RS-C717 | 17mm | 230 | 35.0 | 33.0 | 8.0 | 10.5 |
| RS-C718 | 18mm | 235 | 37.5 | 33.0 | 9.0 | 11.0 |
| RS-C719 | 19mm | 250 | 40.0 | 35.0 | 9.0 | 11.5 |



RS-D0



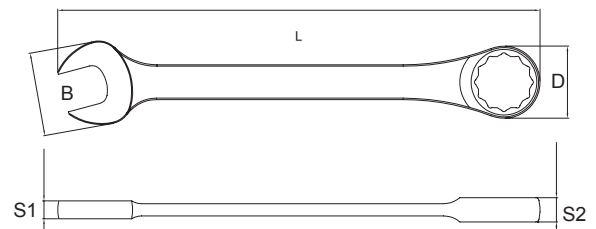
RS-B4



RS-D0

DOUBLE RING RATCHET WRENCH

| Item No. | Size | (L)mm | A | B | C |
|-------------|-------------|-------|------|------|------|
| RS-D06802A1 | 6*8 | 114 | 16.0 | 18.0 | 7.8 |
| RS-D0AP02A1 | 10*12 | 133 | 20.5 | 23.3 | 7.8 |
| RS-D0AM02A1 | 11*13 | 164 | 26.0 | 28.5 | 10.0 |
| RS-D08902A1 | 14*17 | 193 | 28.3 | 35.3 | 10.0 |
| RS-D0AK02A1 | 19*21 | 224 | 36.0 | 40.0 | 10.0 |
| RS-D0AA02A1 | 1/4"*5/16" | 114 | 16.0 | 18.0 | 7.8 |
| RS-D0AB02A1 | 7/16"*3/8" | 133 | 20.5 | 23.3 | 7.8 |
| RS-D0AC02A1 | 1/2"*9/16" | 164 | 26.0 | 28.5 | 10.0 |
| RS-D0AD02A1 | 5/8"*3/4" | 196.0 | 33.0 | 35.3 | 10.0 |
| RS-D0AE02A1 | 11/16"*7/8" | 224 | 36.0 | 40.0 | 10.0 |



RS-B4

ONE WAY RATCHET COMBINATION WRENCH II

| Item No. | Size | (L)mm | B | D | S1 | S2 |
|-------------|------|-------|------|------|-----|------|
| RS-B41001AP | 10mm | 140 | 21.5 | 21.5 | 5.8 | 7.5 |
| RS-B41101AP | 11mm | 148 | 24.0 | 22.5 | 6.0 | 7.8 |
| RS-B41201AP | 12mm | 160 | 26.0 | 23.5 | 6.0 | 8.5 |
| RS-B41301AP | 13mm | 165 | 28.5 | 25.5 | 6.5 | 9.5 |
| RS-B41401AP | 14mm | 178 | 31.0 | 27.5 | 7.0 | 9.5 |
| RS-B41501AP | 15mm | 195 | 34.5 | 30.0 | 7.0 | 10.3 |
| RS-B41601AP | 16mm | 195 | 34.5 | 30.0 | 7.0 | 10.3 |
| RS-B41701AP | 17mm | 209 | 32.0 | 32.0 | 8.0 | 10.3 |
| RS-B41801AP | 18mm | 236 | 41.0 | 35.0 | 8.5 | 10.8 |
| RS-B41901AP | 19mm | 236 | 41.0 | 35.0 | 8.5 | 11.5 |

| Item No. | Size | (L)mm | B | D | S1 | S2 |
|-------------|--------|-------|------|------|-----|------|
| RS-B46001AP | 3/8" | 140 | 21.5 | 21.5 | 5.8 | 7.5 |
| RS-B46101AP | 7/16" | 148 | 24.0 | 22.5 | 6.0 | 7.8 |
| RS-B46301AP | 1/2" | 165 | 28.5 | 25.5 | 6.5 | 9.5 |
| RS-B46401AP | 9/16" | 178 | 31.0 | 27.5 | 7.0 | 9.5 |
| RS-B46601AP | 5/8" | 195 | 34.5 | 30.0 | 7.0 | 10.3 |
| RS-B46701AP | 11/16" | 209 | 32.0 | 32.0 | 8.0 | 10.3 |
| RS-B46901AP | 3/4" | 236 | 41.0 | 35.0 | 8.5 | 11.5 |



JSR-11XH19K1

12PCS

- Reverse ratchet combination wrench set
- 8-19mm



JSR-10XHE19K1

12PCS

- one way ratchet combination wrench
- 8-19mm



JSR-11XHD19L1

7PCS

- Reverse ratchet combination wrench set
- 8,10,11,13,14,17,19mm



JSR-11X1019L1

12PCS

- Reverse ratchet combination wrench set
- 8-19mm



JSR-23

12PCS

- flex one way ratchet combination wrench set
- 8-19mm



JSR-11

7PCS

- Reverse ratchet combination wrench set
- 8,10,11,13,14,17,19mm



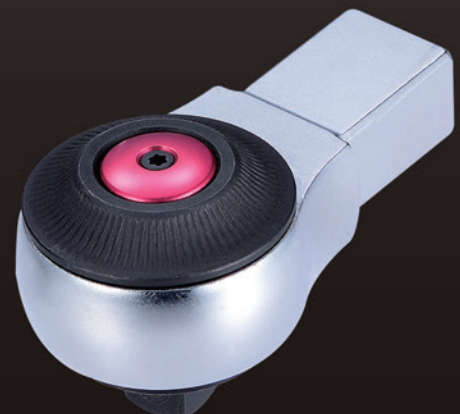
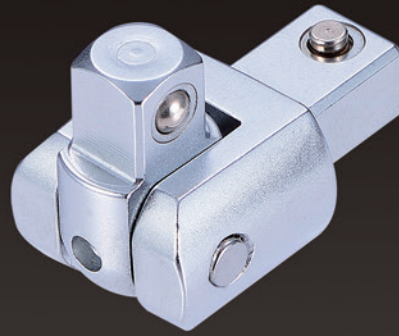
JSR-60X1C29K1

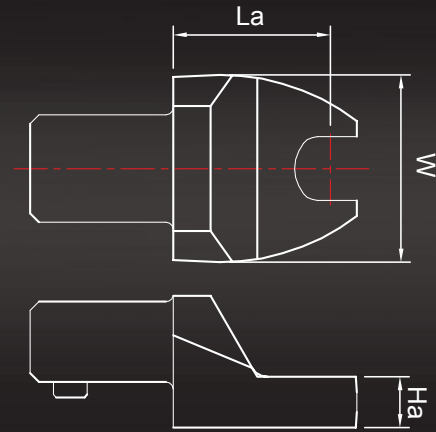
7PCS

- Extra long flex head reverse ratchet wrench set
- 8,10,12,13,14,17,19mm

Insert Tools

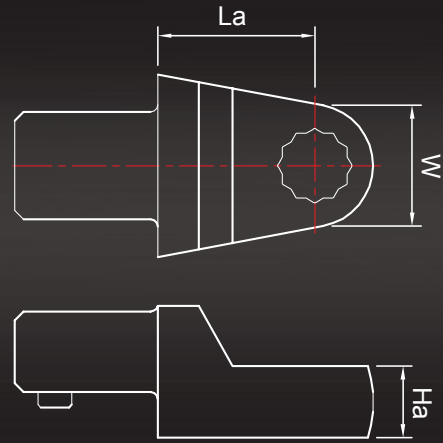
**Complete Line and Hot Sell Insert Tool for
Torque Wrench**





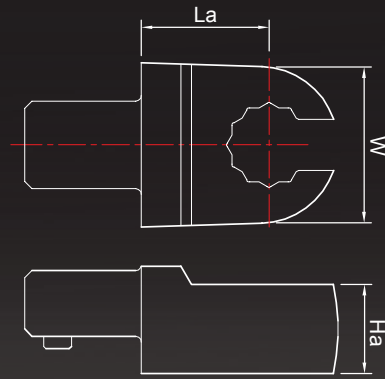
OPEN END INSERT TOOLS

| ITEM NO | SIZE | | La(mm) | (W) Head width/mm | (Ha) Head Depth/mm |
|-------------|------|-------|--------|-------------------|--------------------|
| RS-310702C1 | 07mm | 9*12 | 17.5 | 20.7 | 5.7 |
| RS-310802C1 | 08mm | 9*12 | 17.5 | 22.0 | 5.7 |
| RS-310902C1 | 09mm | 9*12 | 17.5 | 23.5 | 5.7 |
| RS-311002C1 | 10mm | 9*12 | 17.5 | 24.8 | 5.7 |
| RS-311102C1 | 11mm | 9*12 | 17.5 | 26.0 | 5.7 |
| RS-311202C1 | 12mm | 9*12 | 17.5 | 27.5 | 5.7 |
| RS-311302C1 | 13mm | 9*12 | 17.5 | 28.8 | 5.7 |
| RS-311402C1 | 14mm | 9*12 | 20.0 | 31.5 | 7.7 |
| RS-311502C1 | 15mm | 9*12 | 20.0 | 33.5 | 7.7 |
| RS-311602C1 | 16mm | 9*12 | 20.0 | 36.0 | 7.7 |
| RS-311702C1 | 17mm | 9*12 | 20.0 | 37.7 | 7.7 |
| RS-311802C1 | 18mm | 9*12 | 20.0 | 39.0 | 7.7 |
| RS-311902C1 | 19mm | 9*12 | 20.0 | 41.6 | 7.7 |
| RS-311302C4 | 13mm | 14*18 | 25.0 | 29.6 | 7.0 |
| RS-311402C4 | 14mm | 14*18 | 25.0 | 31.3 | 7.0 |
| RS-311502C4 | 15mm | 14*18 | 25.0 | 33.4 | 7.0 |
| RS-311602C4 | 16mm | 14*18 | 25.0 | 35.8 | 9.0 |
| RS-311702C4 | 17mm | 14*18 | 25.0 | 37.0 | 9.0 |
| RS-311802C4 | 18mm | 14*18 | 25.0 | 38.6 | 9.0 |
| RS-311902C4 | 19mm | 14*18 | 25.0 | 40.6 | 9.0 |
| RS-312102C4 | 21mm | 14*18 | 25.0 | 45.2 | 11.0 |
| RS-312202C4 | 22mm | 14*18 | 25.0 | 47.3 | 11.0 |
| RS-312402C4 | 24mm | 14*18 | 25.0 | 50.8 | 11.0 |
| RS-312702C4 | 27mm | 14*18 | 32.5 | 58.7 | 13.5 |
| RS-313002C4 | 30mm | 14*18 | 32.5 | 62.7 | 13.5 |
| RS-313202C4 | 32mm | 14*18 | 32.5 | 65.2 | 13.5 |
| RS-313402C4 | 34mm | 14*18 | 32.5 | 66.5 | 13.5 |
| RS-313602C4 | 36mm | 14*18 | 32.5 | 66.5 | 13.5 |
| RS-313802C4 | 38mm | 14*18 | 32.5 | 66.5 | 13.5 |
| RS-314102C4 | 41mm | 14*18 | 40.0 | 82.5 | 13.5 |

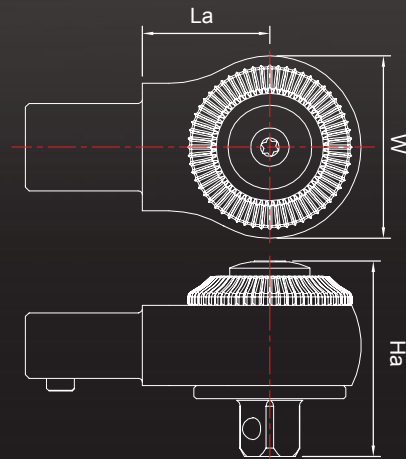
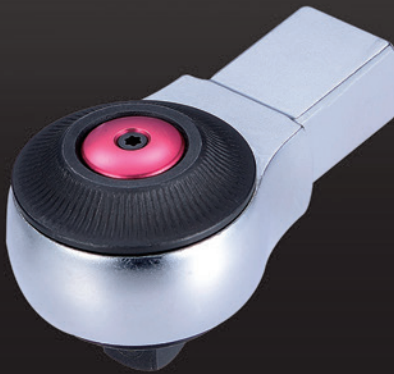


BOX END INSERT TOOLS

| ITEM NO | SIZE | | La(mm) | (W) Head width/mm | (Ha) Head Depth/mm |
|-------------|------|-------|--------|-------------------|--------------------|
| RS-310702C2 | 07mm | 9*12 | 17.5 | 13.1 | 8.0 |
| RS-310802C2 | 08mm | 9*12 | 17.5 | 13.1 | 8.0 |
| RS-310902C2 | 09mm | 9*12 | 17.5 | 17.6 | 8.0 |
| RS-311002C2 | 10mm | 9*12 | 17.5 | 17.6 | 8.0 |
| RS-311102C2 | 11mm | 9*12 | 17.5 | 19.0 | 8.0 |
| RS-311202C2 | 12mm | 9*12 | 17.5 | 20.3 | 12.2 |
| RS-311302C2 | 13mm | 9*12 | 17.5 | 21.1 | 12.2 |
| RS-311402C2 | 14mm | 9*12 | 17.5 | 23.4 | 12.2 |
| RS-311502C2 | 15mm | 9*12 | 17.5 | 24.4 | 12.2 |
| RS-311602C2 | 16mm | 9*12 | 17.5 | 26.4 | 13.2 |
| RS-311702C2 | 17mm | 9*12 | 17.5 | 27.4 | 13.2 |
| RS-311802C2 | 18mm | 9*12 | 17.5 | 28.9 | 13.2 |
| RS-311902C2 | 19mm | 9*12 | 17.5 | 31.0 | 13.2 |
| RS-312102C2 | 21mm | 9*12 | 17.5 | 33.4 | 14.7 |
| RS-312202C2 | 22mm | 9*12 | 17.5 | 35.0 | 14.7 |
| RS-311302C4 | 13mm | 14*18 | 21.5 | 21.0 | 12.0 |
| RS-311402C4 | 14mm | 14*18 | 21.5 | 23.0 | 12.0 |
| RS-311502C4 | 15mm | 14*18 | 21.5 | 26.0 | 12.0 |
| RS-311602C4 | 16mm | 14*18 | 21.5 | 26.0 | 12.0 |
| RS-311702C4 | 17mm | 14*18 | 21.5 | 27.5 | 12.5 |
| RS-311802C4 | 18mm | 14*18 | 21.5 | 29.5 | 12.5 |
| RS-311902C4 | 19mm | 14*18 | 21.5 | 31.0 | 12.5 |
| RS-312102C4 | 21mm | 14*18 | 21.5 | 33.0 | 15.0 |
| RS-312202C4 | 22mm | 14*18 | 21.5 | 35.0 | 15.0 |
| RS-312402C4 | 24mm | 14*18 | 21.5 | 38.0 | 15.0 |
| RS-312702C4 | 27mm | 14*18 | 21.5 | 42.0 | 17.5 |
| RS-313002C4 | 30mm | 14*18 | 21.5 | 45.1 | 17.5 |
| RS-313202C4 | 32mm | 14*18 | 21.5 | 48.0 | 17.5 |
| RS-313402C4 | 34mm | 14*18 | 21.5 | 51.0 | 19.0 |
| RS-313602C4 | 36mm | 14*18 | 21.5 | 53.0 | 19.0 |
| RS-314102C4 | 41mm | 14*18 | 21.5 | 59.3 | 19.0 |



FLARE NUT INSERT TOOLS



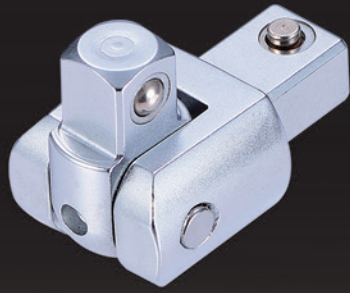
FLARE NUT INSERT TOOLS

FLARE NUT INSERT TOOLS

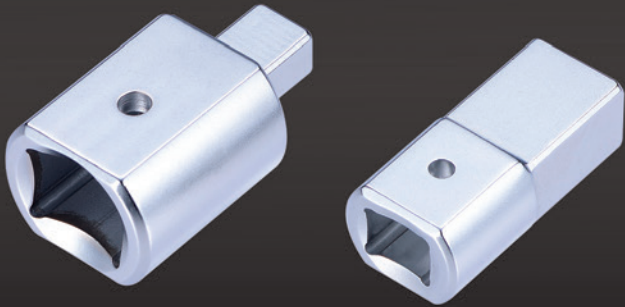
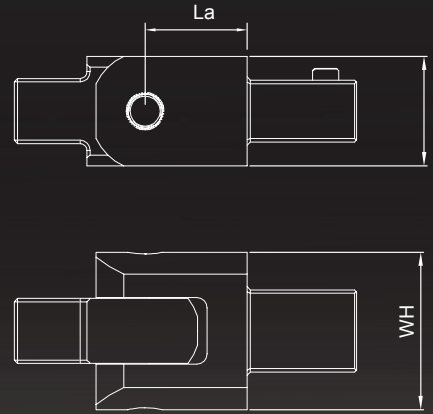
| ITEM NO | SIZE | ■ | La(mm) | (W) Head width/mm | (L) Head Depth/mm |
|-------------|------|------|--------|-------------------|-------------------|
| RS-311002C3 | 10mm | 9*12 | 17.5 | 21.2 | 12.0 |
| RS-311102C3 | 11mm | 9*12 | 17.5 | 22.6 | 12.0 |
| RS-311202C3 | 12mm | 9*12 | 17.5 | 24.1 | 12.0 |
| RS-311302C3 | 13mm | 9*12 | 17.5 | 25.2 | 12.0 |
| RS-311402C3 | 14mm | 9*12 | 17.5 | 27.3 | 13.0 |
| RS-311602C3 | 16mm | 9*12 | 17.5 | 30.1 | 13.0 |
| RS-311702C3 | 17mm | 9*12 | 17.5 | 31.6 | 13.0 |
| RS-311802C3 | 18mm | 9*12 | 17.5 | 33.3 | 15.0 |
| RS-311902C3 | 19mm | 9*12 | 17.5 | 34.6 | 15.0 |
| RS-312102C3 | 21mm | 9*12 | 17.5 | 37.7 | 15.0 |
| RS-312202C3 | 22mm | 9*12 | 17.5 | 39.3 | 15.0 |

ROUND HEAD RATCHET INSERT TOOLS

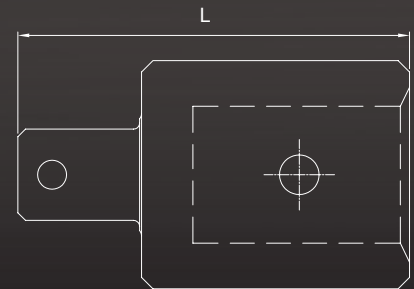
| ITEM NO | SIZE | ■ | La(mm) | (W) Head width/mm | (L) Head Depth/mm |
|-------------|------|-------|--------|-------------------|-------------------|
| RS-311002C3 | 1/4" | 9*12 | 17.5 | 25.0 | 27.0 |
| RS-311102C3 | 3/8" | 9*12 | 17.5 | 30.0 | 33.0 |
| RS-311202C3 | 1/2" | 9*12 | 25.0 | 39.0 | 44.0 |
| RS-311302C3 | 3/8" | 14*18 | 25.0 | 39.0 | 41.0 |
| RS-311402C3 | 1/2" | 14*18 | 25.0 | 39.0 | 44.0 |
| RS-311402C3 | 3/4" | 14*18 | 44.0 | 44.0 | 13.0 |



FLEX DRIVE INSERT TOOLS



ADAPTER INTER TOOLS



LEVER BAR

FLEX DRIVE INSERT TOOLS

| ITEM NO | SIZE | Color | La(mm) | (W) Head width/mm | (L) Head Depth/mm |
|-------------|------|-------|--------|-------------------|-------------------|
| RS-311002C3 | 3/8" | 9*12 | 17.5 | 21.2 | 12.0 |

ADAPTER INTER TOOLS

| ITEM NO | Color | La(mm) |
|-------------|-------------|--------|
| RS-31B102F4 | 9*12->14*18 | 51.5 |
| RS-31B202F5 | 14*18->9*12 | 45 |

LEVER BAR

| ITEM NO | Color | La(mm) |
|---------|-------|--------|
| | 9*12 | 310 |
| | 14*18 | 570 |



JSR-31X2D29K1

8pcs Head Interchangeable New Lock Torque Wrench Set

- 1pc 9*12 Head Interchangeable New Lock Torque Wrench
- 6pcs 9*12 open head: 8mm, 10mm, 13mm, 14mm, 17mm, 19mm
- 1pc 72T 9*12 3/8"Dr. Ratchet Head



JSR-31

8pcs Head Interchangeable Wrench Set

- 1pc 9*12 Head Interchangeable Lever Bar
- 6pcs 9*12 open head: 8mm, 10mm, 13mm, 14mm, 17mm, 19mm
- 1pc 72T 9*12 3/8"Dr. Ratchet Head



JSR-54XFE29K1

11pcs Head Interchangeable New Lock Torque Wrench Set

- 1pc 14*18 Head Interchangeable New Lock Torque Wrench
- 9pcs 14*18 open head: 13mm, 14mm, 15mm, 17mm, 19mm, 22mm, 24mm, 27mm, 30mm
- 1pc 72T 14*18 1/2"Dr. Ratchet Head



JSR-31

11pcs Head Interchangeable Wrench Set

- 1pc 14*18 Head Interchangeable Lever Bar
- 9pcs 14*18 open head: 13mm, 14mm, 15mm, 17mm, 19mm, 22mm, 24mm, 27mm, 30mm
- 1pc 72T 14*18 1/2"Dr. Ratchet Head

Professional Tool Set

- Go-Thru Socker Set
- Double Flexi Go-Thru Gear Wrench Set
- 1/4" Dr. Ratchet Tool Set
- All Kinds of Professional Tool Set





JSR-12X4119K4

14pcs 20mm Go-Thru Ratchet Tool Set

- 1pc 72T 20mm Go-Thru Wrench
- 10pcs 20mm Go-Thru Socket: 10mm-19mm
- 1pc Go-Thru Extension Bar: 20mm X75mm
- 1pc 20mm 1/4"Dr. Adaptor
- 1pc 20mm 3/8"Dr. Adaptor



JSR-12XFB19K4

11pcs 20mm Go-Thru Ratchet Tool Set

- 1pc 72T 20mm Go-Thru Wrench
- 7pcs Inch 20mm Go-Thru Socket: 3/8", 7/16", 1/2", 9/16", 5/8", 11/16", 3/4"
- 1pc Go-Thru Extension Bar: 20mm X75mm
- 1pc 20mm 1/4"Dr. Adaptor
- 1pc 20mm 3/8"Dr. Adaptor



JSR-12X6B19K4

21pcs 20mm Go-Thru Ratchet Tool Set

- 1pc 72T 20mm Go-Thru Wrench
- 10pcs 20mm Go-Thru Socket: 10mm-19mm
- 7pcs Inch 20mm Go-Thru Socket: 3/8", 7/16", 1/2", 9/16", 5/8", 11/16", 3/4"
- 1pc Go-Thru Extension Bar: 20mm X75mm
- 1pc 20mm 1/4"Dr. Adaptor
- 1pc 20mm 3/8"Dr. Adaptor



JSR-12X7A19K4

24pcs 13&20mm Go-Thru Ratchet Tool Set

- 1pc 72T 20mm Go-Thru Wrench
- 1pc 72T 13mm Go-Thru Wrench
- 9pcs 20mm Go-Thru Socket: 11mm-19mm
- 9pcs 13mm Go-Thru Socket: 04mm-10mm
- 1pc Go-Thru Extension Bar: 20mm X75mm
- 1pc Go-Thru Extension Bar: 13mm X75mm
- 1pc 20mm 1/4"Dr. Adaptor
- 1pc 20mm 3/8"Dr. Adaptor



JSR-12

16pcs 13mm Go-Thru Ratchet Tool Set

- 1pc 72T 13mm Go-Thru Wrench
- 13pcs 13mm Go-Thru Socket: 04mm-14mm
- 1pc Go-Thru Extension Bar: 13mm X75mm
- 1pc 13mm 1/4"Dr. Adaptor



JSR-12

21pcs 13mm Go-Thru Ratchet Tool Set

- 1pc 72T 13mm Go-Thru Wrench
- 13pcs 13mm Go-Thru Socket: 04mm-14mm
- 10pcs 13mm Go-Thru Inch Socket:
• 5/32", 3/16", 7/32", 1/4", 9/32", 5/16", 3/8",
7/16", 1/2", 9/16"
- 1pc Go-Thru Extension Bar: 13mm X75mm
- 1pc 13mm 1/4"Dr. Adaptor



JSR-12X6B19N1

21pcs 20mm Go-Thru Ratchet Tool Set

- 1pc 72T 20mm Go-Thru Wrench
- 10pcs 20mm Go-Thru Socket: 10mm-19mm
- 7pcs Inch 20mm Go-Thru Socket: 3/8", 7/16", 1/2",
9/16", 5/8", 11/16", 3/4"
- 1pc Go-Thru Extension Bar: 20mm X75mm
- 1pc 20mm 1/4"Dr. Adaptor
- 1pc 20mm 3/8"Dr. Adaptor



JSR-12XDA19N1

38pcs 13mm Go-Thru Ratchet Tool Set

- 1pc 72T 13mm Go-Thru Ratchet Handle
- 1pc 1/4"Dr. Soft Grip Handle
- 1pc 13mm Go-Thru Extension Bar X75mmL
- 1pc 1/4"Dr. 13mm Go-Thru Adaptor
- 1pc 1/4"Dr. Bit 13mm Go-Thru Adaptor
- 13pcs 13mm Go-Thru Sockets: 4, 4.5, 5, 5.5,
6, 7, 8, 9, 10, 11, 12, 13, 14mm
- 20pcs 1/4"*25mmL Bits:
- Phillips: 1, 2, 3
- Pozi: 1, 2, 3
- Hex: 3, 4, 5, 6mm
- TORX: 10, 15, 20, 25, 30, 40
- Slot: 3, 4, 5, 6



JSR-25XRA29N4

24 pcs 1/4" Hex Streamlining Stubby Ratchet Set

- 1pc 72T 1/4" Hex streamlining stubby ratchet handle
- 1pc 1/4" Extension Bar X 75mm
- 22pcs BITS : T10, T 15, T 20, T 25, T 27, T 30, T 40 ; H2,H2.5,H3,H4,H5,H6 ; PH1*2,PH2*2 ; PZ1,PZ2 ;SL4-6



JSR-25XRA29N4

25 pcs 1/4" Dr. Streamlining Stubby Ratchet Set

- 1pc 72T 1/4" Dr. streamlining stubby ratchet handle
- 1pc 1/4" Extension Bar X 75mm
- 1pc bits Adaptor
- 6pcs Sockets : 5,6,8,10,11,13mm
- 16pcs BITS : T10, T 15, T 20, T 25, T 27, T 30 ; H2,H2.5,H3,H4,H5,H6 ; SL4, SL6, PH1,PH2,PZ2



JSR-15X3A19N1

47pcs 1/4" Dr. Ratchet Tool Set

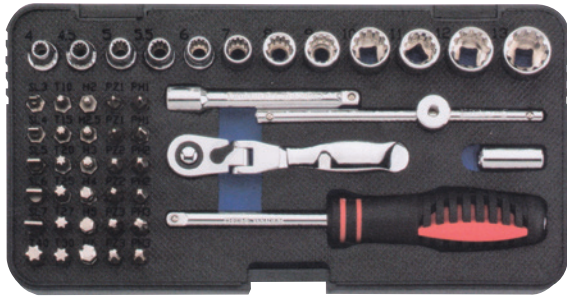
- 1pc 72T 1/4Dr. Ratchet Handle
- 1pc 1/4"Dr. Soft Grip Handle
- 1pc 1/4"Dr. Universal Joint
- 1pc 1/4"Dr. Extension Bar x 75mmL
- 1PC Bit Holder
- 12pcs 1/4"Dr. Socket:
- 4, 4.5, 5, 5.5, 6, 7, 8, 9, 10, 11, 12, 13mm
- 30pcs 1/4"*25mmL Bits:
- Phillips: 1, 1, 2, 2, 3, 3
- Pozi: 1, 1, 2, 2, 3, 3
- Hex: 2, 2.5, 3, 4, 5, 6mm
- Torx: 10, 15, 20, 25, 27, 30, 40
- Slot: 3, 4, 5, 6,7



JSR-80

32pcs 1/4 Dr.*1/4" Hex Double Head Reverse Ratchet Tool Set

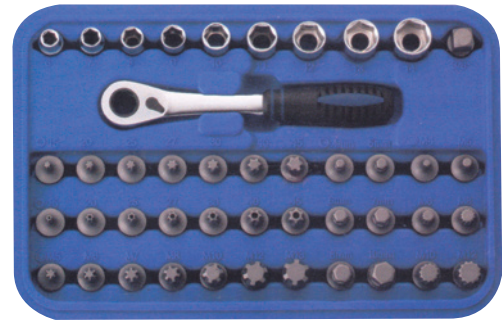
- 1pc 72T 1/4Dr.*1/4" Hex double head reverse ratchet wrench
- 1pc 1/4"Dr. Universal Joint
- 1pc 1/4"Dr. Extension Bar x 50mmL
- 1PC Bit Holder
- 12pcs 1/4"Dr. Socket:
- 4, 4.5, 5, 5.5, 6, 7, 8, 9, 10, 11, 12, 13mm
- 16pcs 1/4"*25mmL Bits:
- Phillips: 1, 2, 3
- Hex: 4, 5, 6mm
- Torx: 10, 15, 20, 25, 27, 30, 40
- Slot: 4, 5, 6



JSR-42X3A19N1

47pcs 1/4" Dr. Mini Flexi Ratchet Tool Set

- 1pc 1/4"DR. mini Flexi Ratchet Handle
- 1pc 1/4Dr. Soft Grip Handle
- 1pc 1/4"Dr. Sliding Bar
- 1pc 1/4"Dr. Extension Bar X 75mmL
- 1PC Bit Adaptor
- 12pcs 1/4"Dr. Socket : 4, 4.5, 5, 5.5, 6, 7, 8, 9, 10, 11, 12, 13mm
- 30pcs 1/4"*25mmL Bits :
 Phillips: 1, 1, 2, 2, 3, 3
 Pozi: 1, 1, 2, 2, 3, 3
 Hex: 2, 2.5, 3, 4, 5, 6mm
 Torx: 10, 15, 20, 25, 27, 30, 40
 Slot: 3, 4, 5, 6,7



JSR-32XEA39K4

44pcs 13mm Go-Thru Ratchet Tool Set

- 1pc 72T 13mm Go-Thru Ratchet Handle
- 9pcs 13mm Go-Thru Sockets: 6, 7, 8, 9, 10, 11, 12, 13, 14mm
- 1pc 3/8" Go-Thru Power Bit Adaptor
- 33pcs Go-Thru Power Bit : T15,T20,T25,T27,T30,T40,T45TH15,TH20,TH25,TH27,TH30,TH40,TH45RM5, RM6, RM7, RM8, RM10, RM12, RM13H4,H5,H6,H7,H8,H10M4,M5,M6,M8,M10,M12



JSR-18X3A19N1

47pcs 1/4" Dr. Round Head-Swivel Ratchet Tool Set

- 1pc 72T 1/4"Dr.Round Head-Swivel Ratchet Handle
- 1pc 1/4"Dr. Universal Joint
- 1pc 1/4"Dr. Extension Bar x 75mmL
- 1pc Bit Holder
- 12pcs 1/4"Dr. Sockets : 4, 4.5, 5, 5.5, 6, 7, 8, 9, 10, 11, 12, 13mm
- 30pcs 1/4"*25mmL Bits:
 Phillips: 1, 1, 2, 2, 3, 3
 Pozi: 1, 1, 2, 2, 3, 3



儒新工具股份有限公司

詮田有限公司

RU-SHINE TOOL.CO., LTD

QUAN-TIAN CO., LTD

41146台中市太平區興隆路一段76巷37弄36號

No.36, Aly. 37, Ln. 76, Sec. 1, Xinglong Rd.,

Taiping Dist., Taichung City 41146, Taiwan (R.O.C.)

Tel:886-4-2278 8451 / 886-4-2278 8469

Fax:886-4-2276 4417

E-mail:juhsin1@ms57.hinet.net

Website:www.juhsin.com.tw